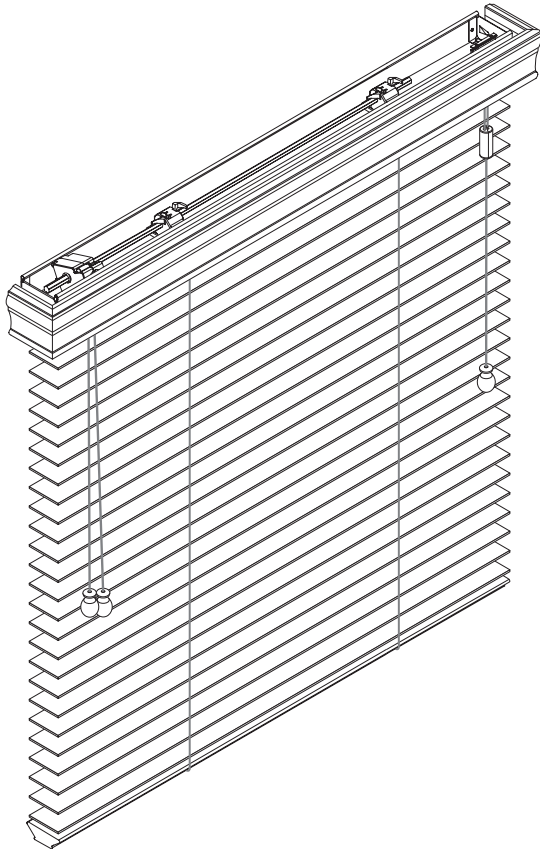


Installation and Care Instructions



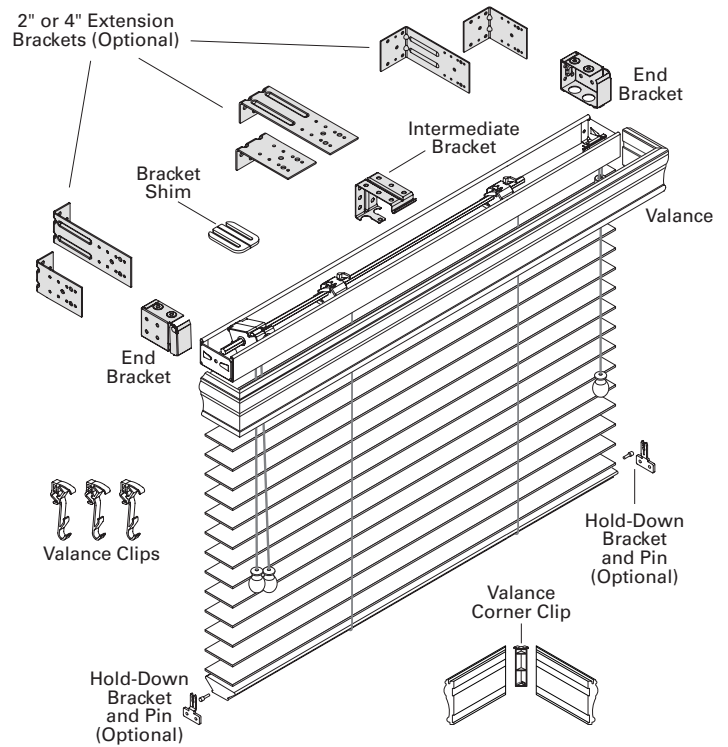
2" Alternative Wood Blinds

HunterDouglas

THANK YOU for purchasing a Hunter Douglas product. Your new blind has been custom built for you from the highest quality materials. Once in your window, it will provide you with a lifetime of beauty and trouble-free use.

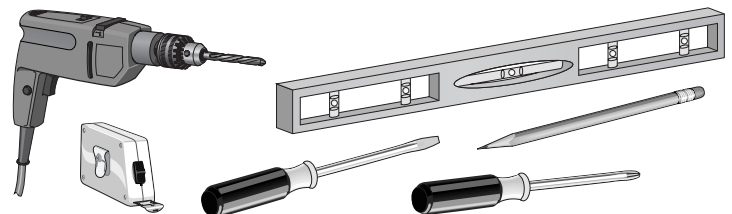
Getting Started

- Remove the blind from the package. Keep the packaging until the blind operates to your satisfaction.
- Check the diagram to make sure you have the necessary parts.
- Contents of your hardware package may vary depending upon mounting options chosen and whether intermediate brackets are needed.






Tools needed for installing your shade.

- Measuring Tape
- Carpenter's Level
- Pencil
- Flat Blade Screwdriver
- Power Drill, 1/4" Hex Driver and Drill Bits
- Phillips Screwdriver



In addition, you will need fasteners designed to work with your specific mounting surfaces:

Mounting Surface	Fastener
Drywall, Plaster	Wall Anchors, Expansion Bolts (Not Provided) 
Metal	Sheet Metal Screws (Not Provided) 
Wood	No. 6 Hex Head Screws (Provided) 

For assistance, call the Hunter Douglas
Customer Information Center
at 1-888-501-8364
7:00 AM to 4:30 PM MST, Mon.-Fri.
Visit our Web site at hunterdouglas.com

1 Mount the Brackets

Mounting Options

The installation brackets may be *inside mounted*, *ceiling mounted* or *outside mounted*. In all cases, level mounting is essential.

- With inside mounts or ceiling mounts, use a carpenter's level to check that the mounting surface is level. Shim the brackets, if necessary.
- With outside mounts, the tops of the brackets must be level and aligned at the same height.
- Intermediate brackets are required if the blind is over 48" wide (see chart below).

Intermediate Brackets Required

Blind Width	Intermediate Brackets
6" - 48"	0
48 1/8" - 60"	1
60 1/8" - 96"	2

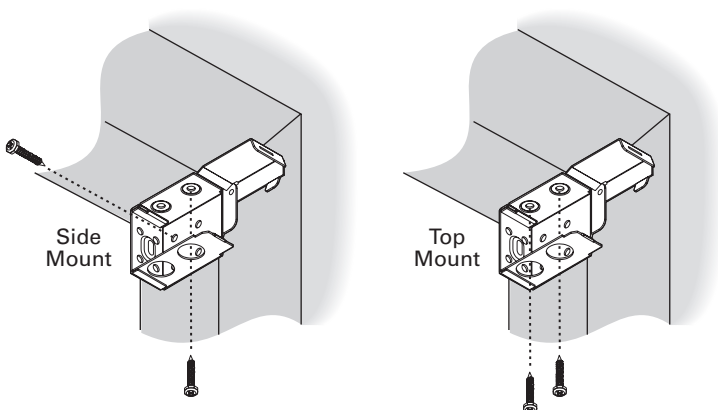
Inside Mount or Ceiling Mount Applications

With inside mounts, attach the two end brackets flush against the sides of the window casement.

- Side mount the brackets with one screw through a side hole and one screw through a top hole, as shown below.
- Top mount the brackets with screws through the two top holes.
- If limited mounting depth is available, the bracket may be mounted with two screws through diagonal side holes.

A minimum depth 1 1/8" is required for bracket attachment.

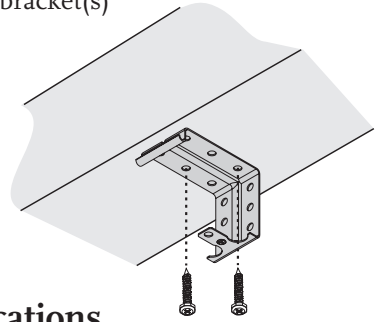
With ceiling mounts, the brackets are top mounted with screws through the two top holes. You may need to add a bracket shim to allow clearance for the valance clips.



Intermediate Brackets (If Required)

Evenly space the intermediate bracket(s) between the two end brackets.

- Adjust spacing if needed to avoid interference with internal headrail mechanisms.
- Attach with two screws through diagonal holes.

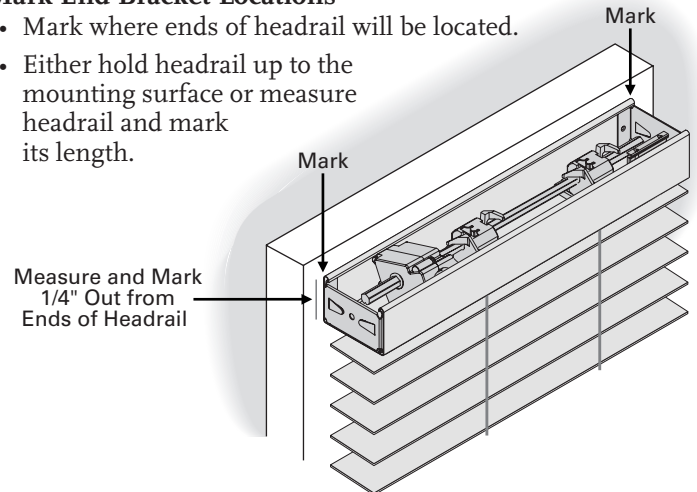


Outside Mount Applications

A flat vertical surface at least 1 3/4" high is required for bracket attachment.

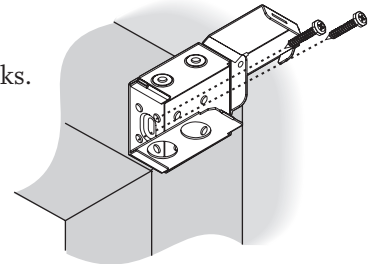
Mark End Bracket Locations

- Mark where ends of headrail will be located.
- Either hold headrail up to the mounting surface or measure headrail and mark its length.



Attach End Brackets

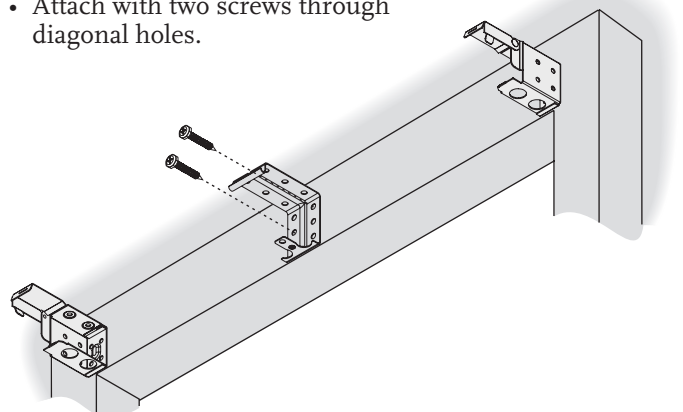
- Align outside edge of each bracket with the outer marks.
- Tops of brackets must be aligned. Check with a carpenter's level.
- Attach brackets with two screws through diagonal holes.



Intermediate Brackets (If Required)

Evenly space the intermediate bracket(s) between the two end brackets.

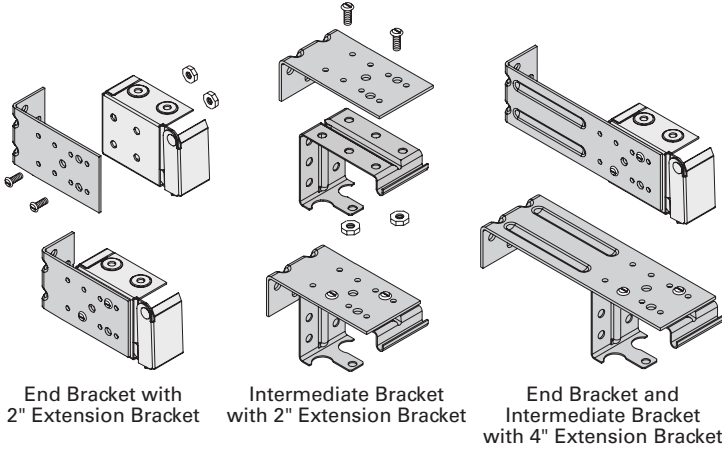
- Adjust spacing if needed to avoid interference with internal headrail mechanisms.
- The top of each intermediate bracket must align with the tops of the end brackets.
- Attach with two screws through diagonal holes.



Extension Brackets (Optional)

Attach 2" or 4" extension brackets to the mounting surface in the same locations where the end brackets and intermediate brackets would be attached.

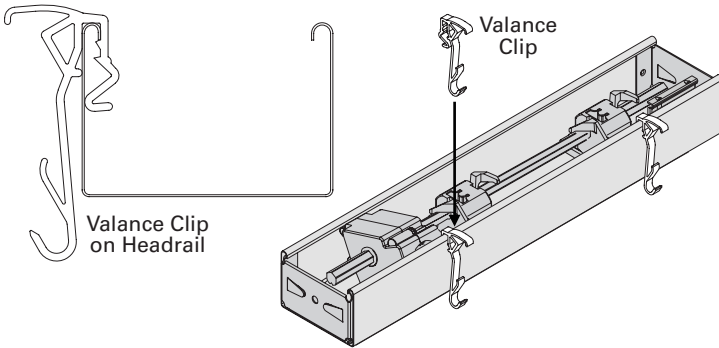
- Align and level extension brackets with a carpenter's level.
- Use two screws to mount each extension bracket.
- Attach the installation brackets to the extension brackets using the screws and nuts provided, as shown below.



2 Install the Blind

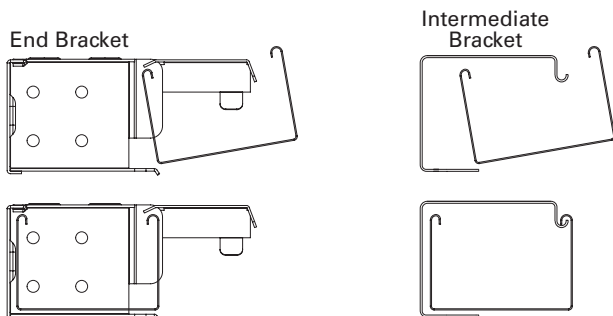
Valance Clips

- Attach valance clips to the headrail, as shown.
- Evenly space the valance clips along the length of the headrail.



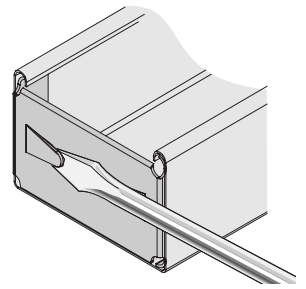
Mounting the Headrail

- Tilt headrail so that its back lip slides under the front lip of the end brackets and intermediate bracket(s).
- Push headrail against the back of the end brackets.
- Check that the front lip of the intermediate bracket(s) is under the front lip of the headrail.



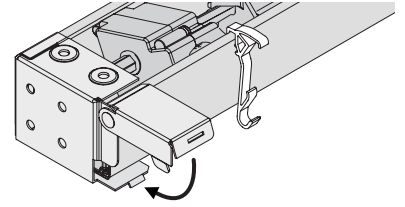
Adjust Headrail Tightness

- If the headrail is loose in the end brackets, bend the tabs on the end plates outward.
- Note: The tabs may also be bent inward if the headrail was difficult to install into the end brackets.



Close End Brackets

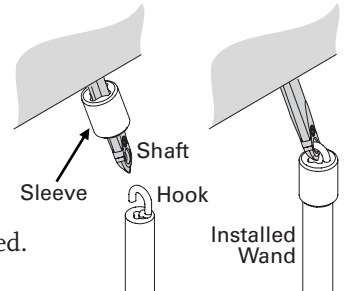
- Push the cover down until it snaps over the locking tab on the bottom of the bracket.



3 Complete the Installation

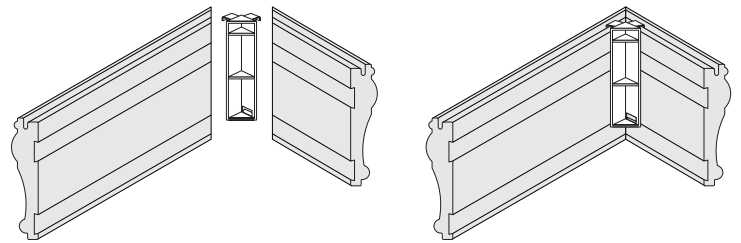
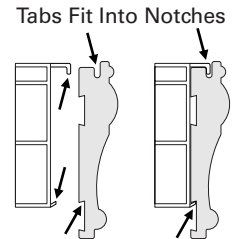
Attach the Wand (If Ordered)

- Pull the plastic sleeve from the top of the wand and insert it over the metal shaft.
- Insert the hook on the wand through the hole in the metal shaft.
- Slide the plastic sleeve down over the hook until firmly seated.

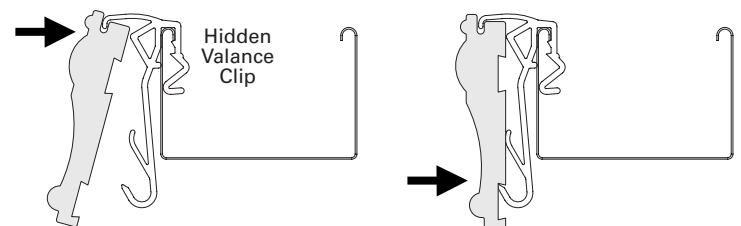


Attach the Valance

- With outside mounts, first attach the valance returns using the corner clips provided.
- The tabs on the corner clips fit into the notches on the valance, as shown at right.
- Slide the valance and returns onto the clips.

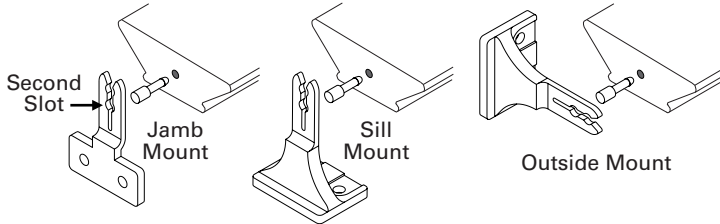


- To mount the valance, tilt the valance to insert the notch at the top into the upper part of the valance clip.
- Then snap the lower part of the valance into the clip.



Attach Hold-Down Brackets (Optional)

- Drill a 1/8" hole centered in the ends of the bottom rail.
- Insert a hold-down pin into each hole. Push the head of the pin against a flat surface to fully seat it, or tap the pin in place with a hammer.
- To mount the hold-down brackets, first fully lower the blind. Align the second slot on the brackets with the pin heads in the bottom rail. Attach the brackets to the jamb, sill, or outside mounting surface, maintaining this alignment.
- Slide the hold-down pins into the second slot of each bracket.
- If necessary with outside mounts, the first slot of the hold-down brackets may be used in place of a spacer block.



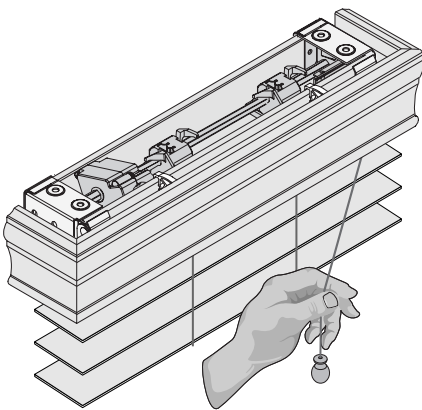
4 Operate the Blind

Tilting the Slats

- **Wand tilt:** Rotate the wand to tilt the slats to the desired angle.
- **Cord tilt:** The two cords with individual tassels are for tilting the slats. Each cord tilts the slats in an alternate direction.

Raising and Lowering the Blind

- Pull the single cord down and toward the center to raise and lower. The slats should be open when raising and lowering.
- Hold the cord to the outside to lock the blind in position.



Pull Cord Toward Center to Raise and Lower
(Slats should be open to raise and lower blind.)

Pull Cord Toward Outside to Lock

5 Care and Cleaning

- Dust with a soft clean cloth. Tilt the slats up and dust. Then tilt the slats down (but not all the way closed) and dust the other side of the slats.
- Vacuum using the brush dust head attachment and tilt the slats up and down as described for dusting.
- Wash slats using a damp cloth and non-abrasive mild detergent solution. Allow to air dry to preserve dust repellent properties of the slats.

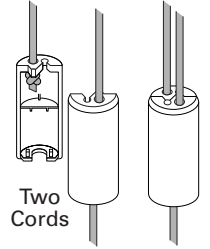
6 Child Safety



WARNING: Young children can become entangled and strangle in cords. Keep all cords out of the reach of children. Hunter Douglas provides cord cleats and we recommend their use.

Cord Stop

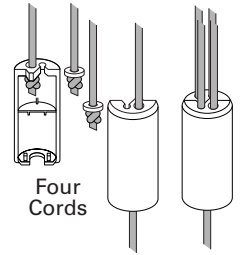
- This component breaks apart with minimal pressure should a child or pet become entangled in the top lift cords.
- It also acts as a stopper to prevent inner cords from being pulled through the blind, which can also create potential entanglement.



Two Cords

Reassembly of Cord Stop

- Reinsert any loose cords into the top notches of the cord stop. There is a notch on each side.
- Line up the right and left sides of the cord stop and snap the pieces back together.



Four Cords

7 Troubleshooting

PROBLEM	SOLUTION
The blind does not raise and lower evenly.	Check inside the headrail. Make sure no obstructions keep the mechanism from turning. Check that lift cords are not pinched or tangled.
The blind will not fit into the mounting brackets.	Make sure mounting brackets are level and mounting surface is flat.



HunterDouglas

hunterdouglas.com

© 2005 Hunter Douglas Inc. ® Registered trademark of Hunter Douglas Inc.
™ Trademark of Hunter Douglas Inc. Patented in the U.S. and foreign countries.
U.S. and foreign patents pending.



Product Code No. 5150227000

5M-5/05 D